



LumiPlus Mini V3 projector for concrete pools

The LumiPlus Mini V3 projector is a small underwater floodlight completely made of high-quality plastic.

It is available in cool white, warm white and RGB multicolor light.

The multicolor versions are compatible with the ECO, TOP, LumiPlus LED app, ModBUS (Connect) and DMX controllers (see codes).

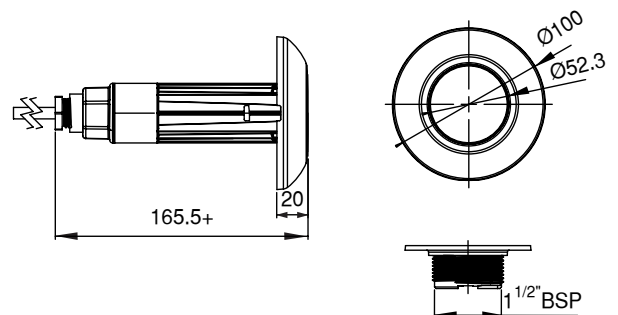
There is a choice of two faceplates: white and stainless steel effect.

This projector comes in three versions for either concrete pools, pre-fabricated pools or spas.



TECHNICAL SPECIFICATIONS

| | |
|--|--|
| VOLTAGE: | 12 V AC (24 V DC in DMX version) |
| FREQUENCY: | 50/60 Hz |
| SERVICE LIFE: | L70-50,000 h |
| MAX. WATER TEMPERATURE: | 40 °C |
| MAX. INSTALLATION DEPTH: | 2 m. |
| MAXIMUM WATER TREATMENT VALUES: | Chlorine: 2 mg/l Bromine: 5 mg/l Salt chlorinator (NaCl): 6 g/l Pool water pH: 7.2 and 7.6 |
| CABLE | 2.5 m. H07RN-F 2 x 1 mm ² |
| MATERIALS: | Polyamide body ABS IMD faceplate |
| COMPATIBLE ACCESSORIES AND NICHES 53956, 35418, 35421, 62395 | |

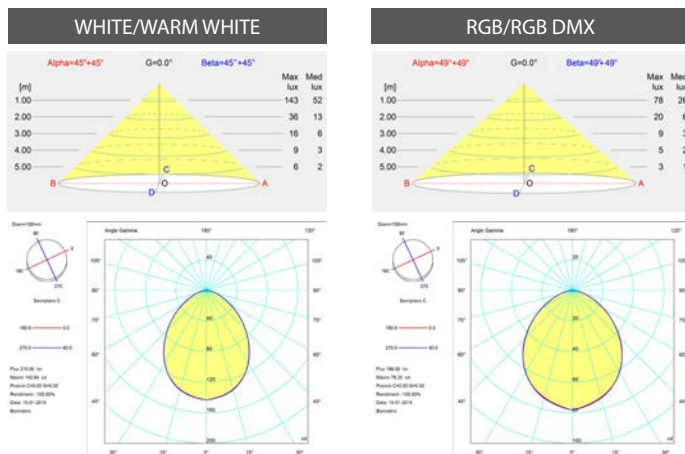


* measurements in mm.

| | 59971 | 59972 | 59979 | 59979WW | 59980 | 59980WW | 59975 | 59976 |
|-------------------------------------|-----------------------------------|-----------------------------------|------------|------------|----------------------------------|------------|---------------------|----------------------------------|
| FACEPLATE MATERIAL | White ABS | ABS + Stainless steel effect IMD | White ABS | White ABS | ABS + Stainless steel effect IMD | White ABS | White ABS | ABS + Stainless steel effect IMD |
| TYPE OF LIGHT | RGB | RGB | WHITE | WARM WHITE | WHITE | WARM WHITE | RGB DMX | RGB DMX |
| POWER | 4 W | 4 W | 4 W | 4 W | 4 W | 4 W | 4 W | 4 W |
| CONSUMPTION | 7 VA | 7 VA | 6 VA | 6 VA | 6 VA | 6 VA | 4 VA | 4 VA |
| LUMINOUS FLUX | 186 lm | 186 lm | 315 lm | 315 lm | 315 lm | 315 lm | 186 lm | 186 lm |
| VOLTAGE | 12 V AC | 12 V AC | 12 V AC | 12 V AC | 12 V AC | 12 V AC | 24 V DC | 24 V DC |
| COLOR TEMP. | - | - | 5,700 K | 3,000 K | 5,700 K | 3,000 K | - | - |
| CRI > | - | - | 70 | 80 | 70 | 80 | - | - |
| LUMINOUS EFFICIENCY | 46.5 lm/W | 46.5 lm/W | 78.75 lm/W | 78.75 lm/W | 78.75 lm/W | 78.75 lm/W | 46.5 lm/W | 46.5 lm/W |
| FLUX ANGLE | 36° | 36° | 36° | 36° | 36° | 36° | 36° | 36° |
| LENS | Wide | Wide | Wide | Wide | Wide | Wide | Wide | Wide |
| THERMAL PROTECTION | Flasher | Flasher | No | No | No | No | Self-regulation | Self-regulation |
| ENERGY CLASS As per UE 2019/2015 | | | | | | | | |
| INSTALLATION IN SALT WATER | Yes | Yes | Yes | Yes | Yes | Yes | Yes | Yes |
| COMPATIBLE CONTROL SYSTEMS | 32458, 27818, 41988, 59131, 57434 | 32458, 27818, 41988, 59131, 57434 | ON/OFF | ON/OFF | ON/OFF | ON/OFF | 52142, 74099, 74100 | 52142, 74099, 74100 |

Fluidra Connect compatible

PHOTOMETRIC MEASUREMENTS



PACKAGING AND PALLETIZATION

| | |
|---------------------------------------|-------|
| Volume/Single box (m ³) | 0.002 |
| Weight/Single box (kg) | 0.65 |
| Units/Standard box | 4 |
| Volume/Standard box (m ³) | 0.012 |
| Weight/Standard box (kg) | 2.77 |
| Units/Pallet | 720 |
| Volume/Pallet (m ³) | 2.772 |
| Weight/Pallet (kg) | 480 |

